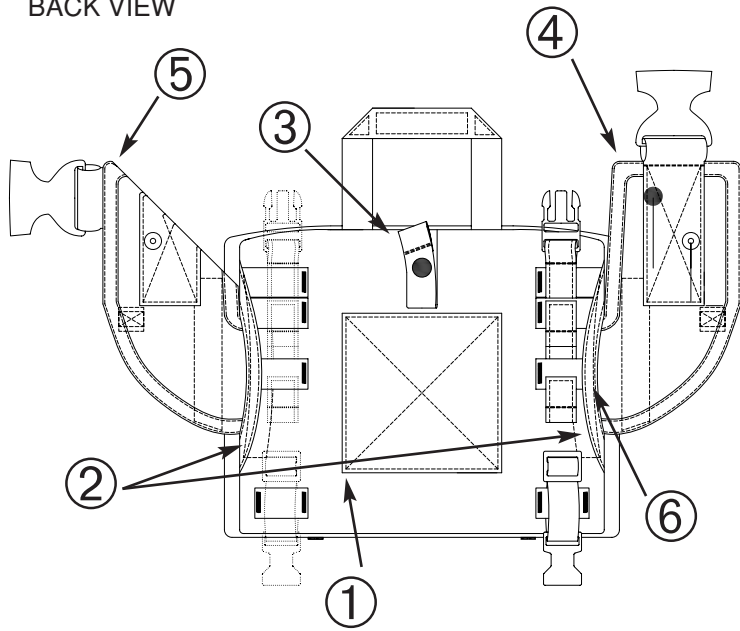
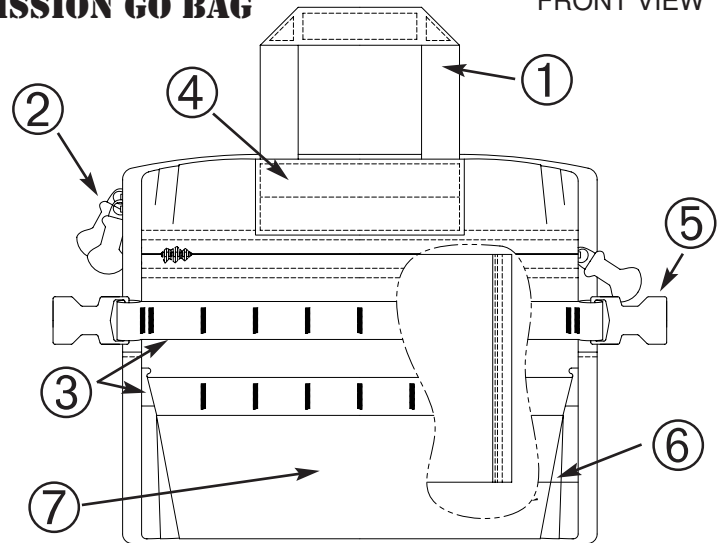


BACK VIEW



MISSION GO BAG

FRONT VIEW

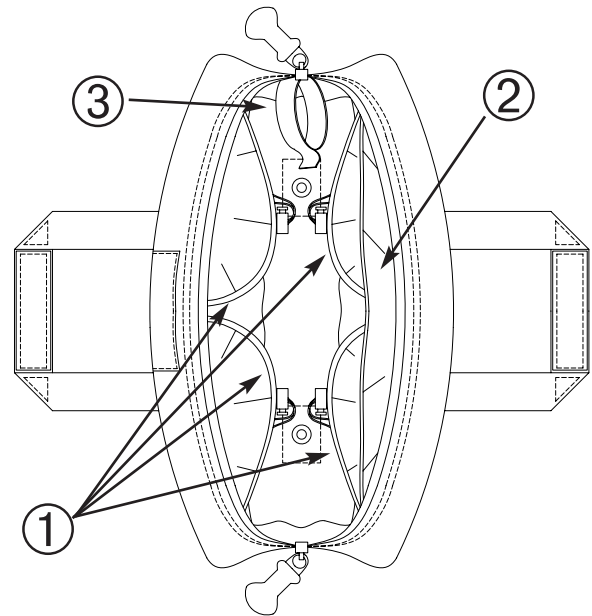


1. Grab handles that fold flat and secure using Hook/Pile tape; used to pull the bag from the external pocket of a pack, or for briefcase carry.
2. Can be locked by travel padlock (sold separately) looping shackle through Lenszip® 10mm Nylon zipper pull.
3. Two rows of PALS webbing allow attachment of M4 magazine shingles or pouches (sold separately) for use as E&E bag, or for attachment of Sniper Rifle Modular Stock Rest (sold separately).
4. 2" x 5 1/2" Velcro® Loop on front face for attachment of patches, etc.
5. Side lock buckle and one inch side compression straps cinch to secure load, and can also engage compression straps on pack for combined carry.
6. Front pocket pleated for expansion and low profile.
7. Velcro® Loop 6" x 8" in low profile pocket allows attachment of Medical Insert Panel (sold separately) found in S.O.TECH's USASOC Individual First Aid Kit and tool/instrument organizer panels. Velcro® Loop 6" x 8" also accepts S.O.TECH's internal holster module (sold separately) which allows the secure/concealed carry of a full size automatic pistol.

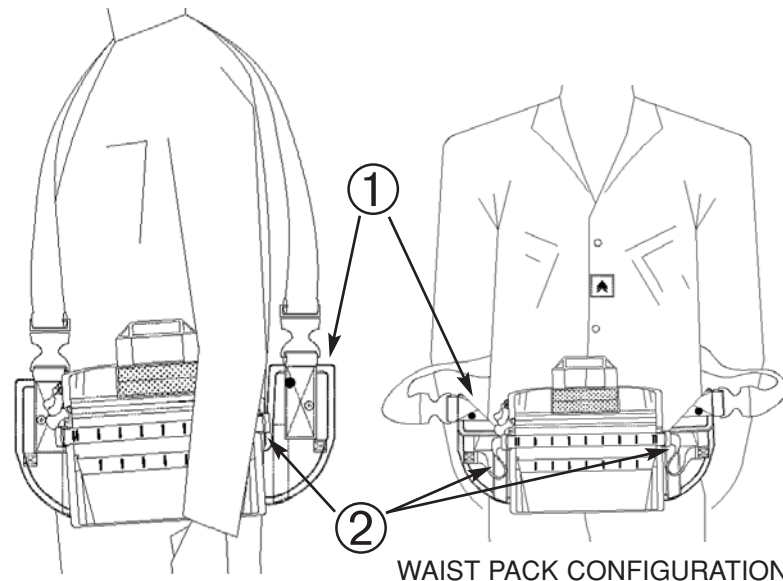
**HOLSTERS • VESTS • HARNESSES • PACKS • THIGH RIGS • SLINGS**

1. Square of rubber grip material to prevent shifting and slipping during wear and to prevent movement of the bag when used as a shooting rest on a slick, flat surface (i.e.: table, vehicle hood) with the Sniper Rifle Modular Stock Rest (not included).
2. Cancelable double side entry pouch which stows the suspension belt when not in use, a removable foam pad, and 50 ounce hydration reservoir (not included).
3. 1 inch loop with snap on back top of bag attaches as a guide on vest PALS to keep from shifting and preventing sag.
4. Suspension belt support flap in Satchel Configuration.
5. Suspension belt support flap in Waist Pack Configuration.
6. Stowage of suspension belt support flaps for Briefcase/and Bag Configuration.

INSIDE VIEW



1. Main compartment has four internal pouches secured by draw cord. These will fit radios, batteries, SERE kits, medical kits, IV bags, 5 M4/M16 magazines per pouch, etc.
2. Main compartment has a flat pocket at the rear for maps, booklets, dope book, etc.
3. On the bottom sides of the main compartment are mounted two Velcro® lined one inch straps for securing rolls of tape, bandages and other items.



SACHEL CONFIGURATION

WAIST PACK CONFIGURATION

1. Suspension belt has support flaps can be dual adjusted with pull-the-dot™ snaps for wear around the waist or over the shoulder.
2. Draw straps (one inch) are supplied on the support flaps of the suspension belt to take up the slack and angle the pack when worn over the shoulder as a satchel.

This pull out shoulder bag/fanny pack configures as a bail-out escape and evasion bag, a medical first responder/combat lifesaver bag, a CQB bag, a sniper's light pack/weapon rest, breacher charge and shock tube carrier, a laptop carrier, a garrison briefcase, and a fanny pack concealed pistol holster system.